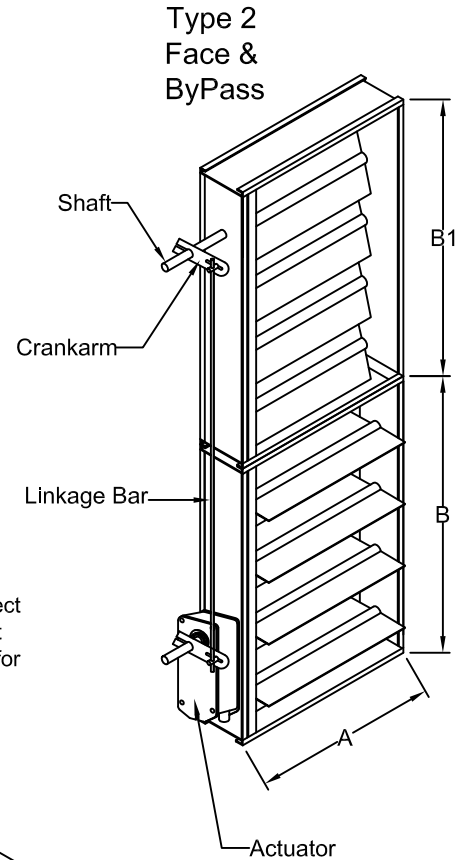
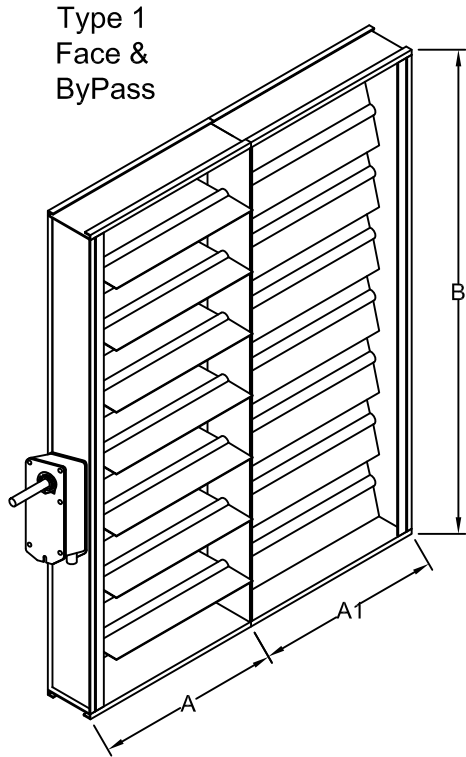
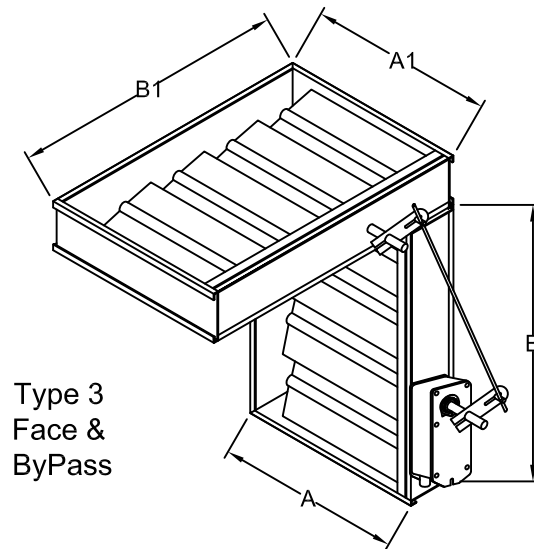


FACE & BYPASS DETAILS



Mounting the crankarm between the actuator and the damper allows for direct coupled mounting to shaft as well as use of linkage for second damper.



Job Name:	<input type="checkbox"/> FACE & BYPASS DETAILS		
Location:	DRAWN BY: SRB	DATE: 5-25-07	REV. DATE: 9-30-10
Architect:	REV. NO. 2	APPROVED BY: BGT	DWG. NO.: A-28
Engineer:			
Contractor:			